

## Technical Data



TRI010KTL  
TRI012KTL  
TRI015KTL  
TRI017KTL  
TRI020KTL

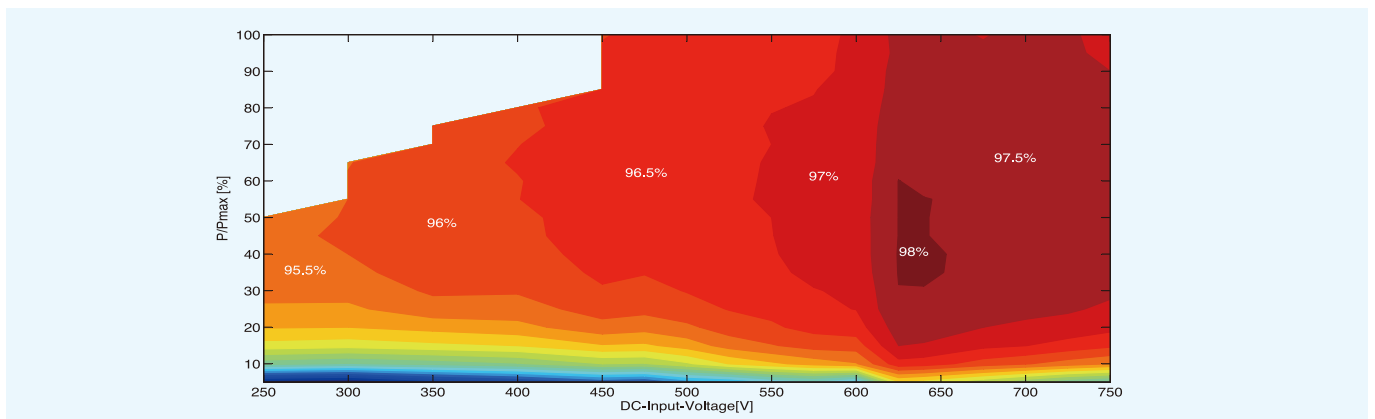
## Features:

- > Max efficiency 98.2%
- > High efficiency across wide operation range
- > Wide range of input DC and MPPT voltage
- > Dual independent MPPT input
- > Integrated DC switch

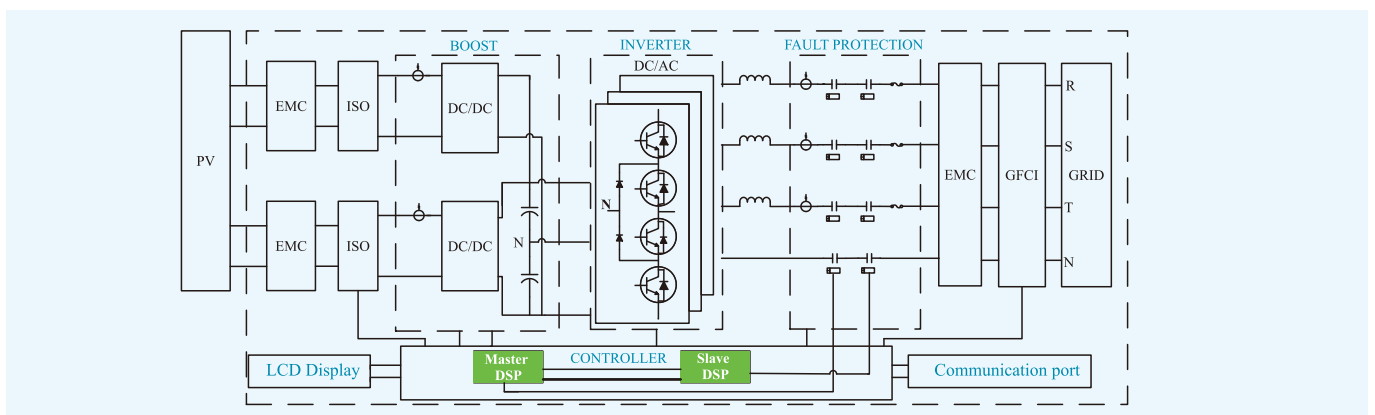
## Certificates and Approvals:

CE, VDE AR-N-4105, VDE 0126-1-1+A1, G83/2, G59/2, G59/3, AS4777, ENEL, RD1663, IEC61727, UTE C15-712, MEA, PEA, CQC, NB/T32004-2013, ROHS, REACH

## Efficiency Curve (TRI017KTL):



## Circuit Diagram:



## TRI Series

TRI010KTL / TRI012KTL / TRI015KTL / TRI017KTL / TRI020KTL

Model	TRI010KTL	TRI012KTL	TRI015KTL	TRI017KTL	TRI020KTL
Rated AC power	10000 W	12000 W	15000 W	17000 W	20000 W
Maximum AC power	10000 VA	12000 VA	15000 VA	17000 VA	20000 VA
<b>Input</b>					
Maximum input power	10300 W	12400 W	15600 W	17600 W	20800 W
Maximum DC voltage in an open circuit	900 Vdc	900 Vdc	900 Vdc	900 Vdc	900 Vdc
MPP voltage range / rated input voltage	250 - 800 Vdc / 640 Vdc	250 - 800 Vdc / 640 Vdc	250 - 800 Vdc / 640 Vdc	250 - 800 Vdc / 640 Vdc	250 - 800 Vdc / 640 Vdc
Maximum input current	12 Adc / 12 Adc	22 Adc / 11 Adc	22 Adc / 22 Adc	22 Adc / 22 Adc	22 Adc / 22 Adc
Startup voltage	200 Vdc	200 Vdc	200 Vdc	200 Vdc	200 Vdc
DC switch	integrated	integrated	integrated	integrated	integrated
Initial feeding voltage	300 Vdc	300 Vdc	300 Vdc	300 Vdc	300 Vdc
Number of inputs	2+2	4+1	3+3	3+3	3+3
MPPT number	2	2	2	2	2
<b>Output</b>					
Operating voltage	220 Vac / 380 Vac or 230 Vac / 400 Vac				
Number of grid phases	3	3	3	3	3
Voltage range	180 - 270 Vac / 310 Vac - 470 Vac				
Frequency range	50 Hz, 60 Hz / -5 Hz ... +5 Hz				
Power factor	-0,9 - 0,9 controllable				
Maximum current	16 Aac	19,2 Aac	22,8 Aac	25,8 Aac	30 Aac
DC current injection	< 2,5‰	< 2,5‰	< 2,5‰	< 2,5‰	< 2,5‰
Current Harmonic Distorsion (THDi)	<3%	<3%	<3%	<3%	<3%
<b>System</b>					
Maximum efficiency	>98,1%	>98,1%	>98,1%	>98,1%	>98,2%
European efficiency	>97,5%	>97,5%	>97,5%	>97,5%	>97,8%
Switching plan	self-commutated, transformerless				
Off-grid protection	Yes	Yes	Yes	Yes	Yes
Surge protection	No	No	No	No	No
Night power consumption / Display	<0,2 W / Optional	<0,2 W / Optional	<0,2 W / Optional	<0,2 W / Optional	<0,2 W / Optional
Detecting earth leakage	Yes	Yes	Yes	Yes	Yes
Heat dissipation	Convection / Smart air cooling				
<b>Mechanical Spec.</b>					
Dimensions in mm	520 x 180 x 740				
Weight	38 Kg	38 Kg	38 Kg	45 Kg	45 Kg
Protection class	IP65				
Display	LCD 3.5 Inch				
Function key	4				
Data interface	RS232 / RS485 / Ethernet / WiFi / GPRS / USB				
Thermal protection	Yes				
Noise emission	<45dB (with fan <50dB)				
Ambient operating temp.	-25 °C - +60 °C (>45 °C derating)				
Casing	stainless steel				